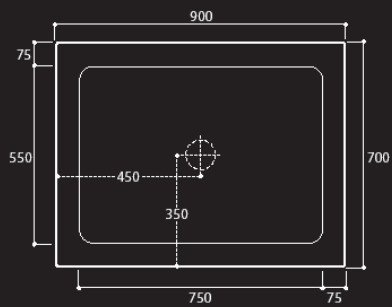
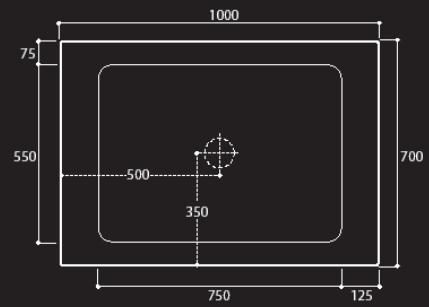


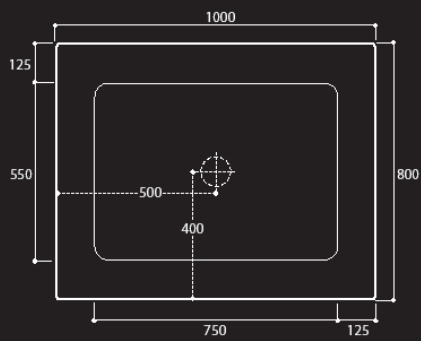
art. AT 9070



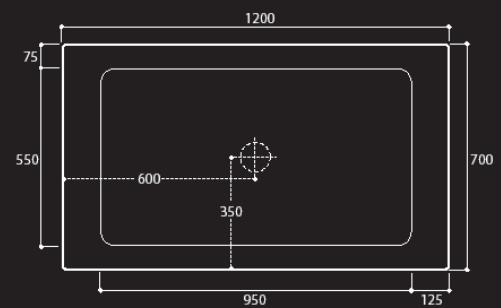
art. AT 10070



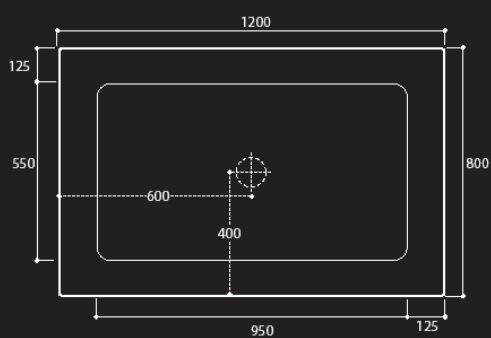
art. AT 10080



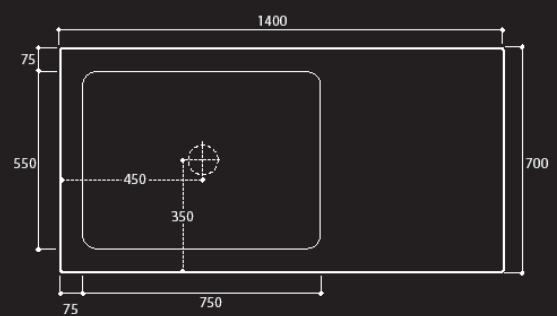
art. AT 12070



art. AT 12080



art. AT 14070



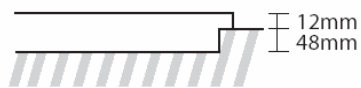
Scarico ø9 cm (piletta GEBERIT e sifone inclusi nel prezzo) / Drain ø9 cm (GEBERIT drain pipe and trap are included in price)

VERSIONE/version

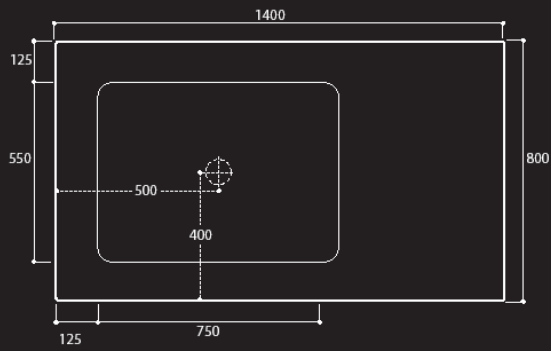
▣ AP-APPOGGIO/top mount

▣ IN-INCASSO/partially built-in floor

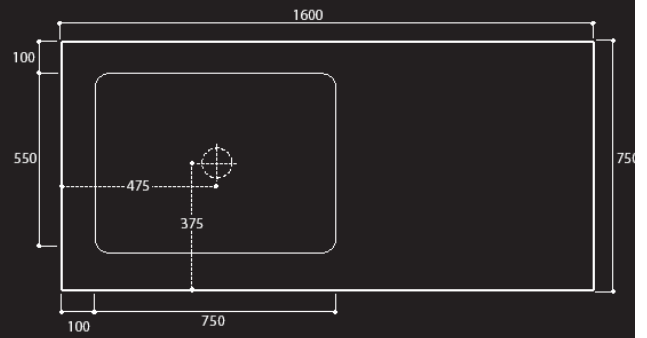
▣ FP-FILO PAVIMENTO/flush to floor



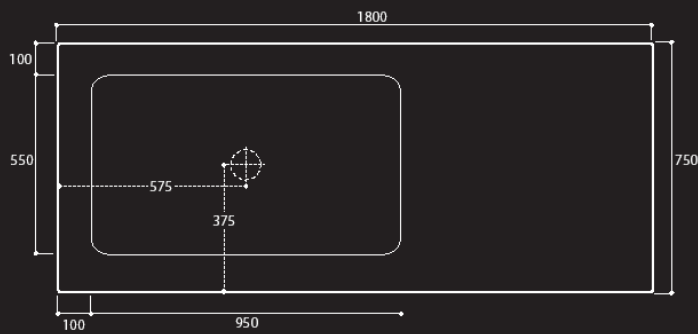
art. AT 14080



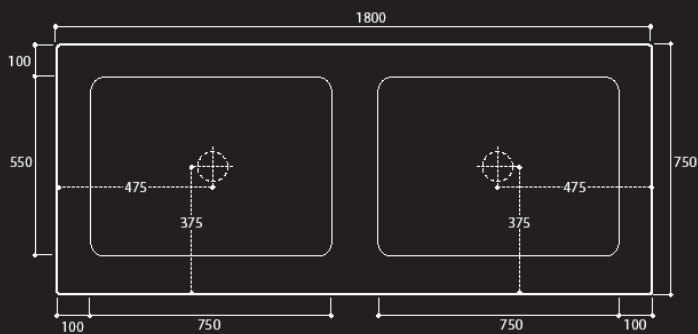
art. AT 16075



art. AT 18075



art. AT 18075-2



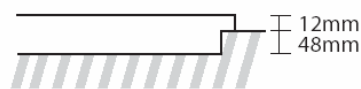
Scarico ø9 cm (piletta GEBERIT e sifone inclusi nel prezzo) / Drain ø9 cm (GEBERIT drain pipe and trap are included in price)

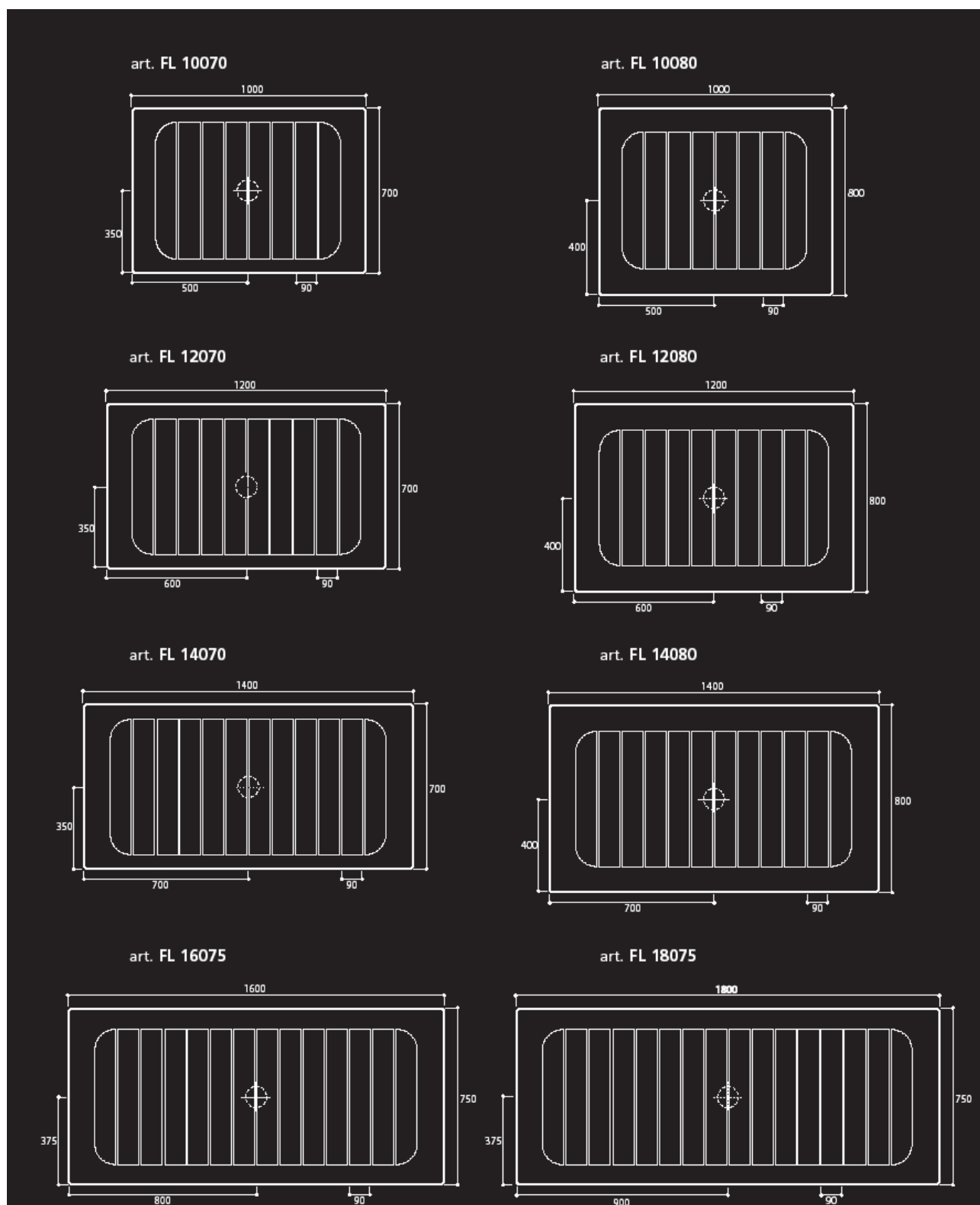
VERSIONE/version

AP-APPOGGIO/top mount

IN-INCASSO/partially built-in floor

FP-FILO PAVIMENTO/flush to floor





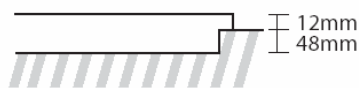
Scarico $\varnothing 9$ cm (piletta GEBERIT e sifone inclusi nel prezzo) / Drain $\varnothing 9$ cm (GEBERIT drain pipe and trap are included in price)

VERSIONE/version

AP-APPOGGIO/top mount

IN-INCASSO/partially built-in floor

FP-FILO PAVIMENTO/flush to floor



g.a.l.

■ GEBERIT

